

## SQH4018S SERIES ~ Low Profile SMD Power Inductors



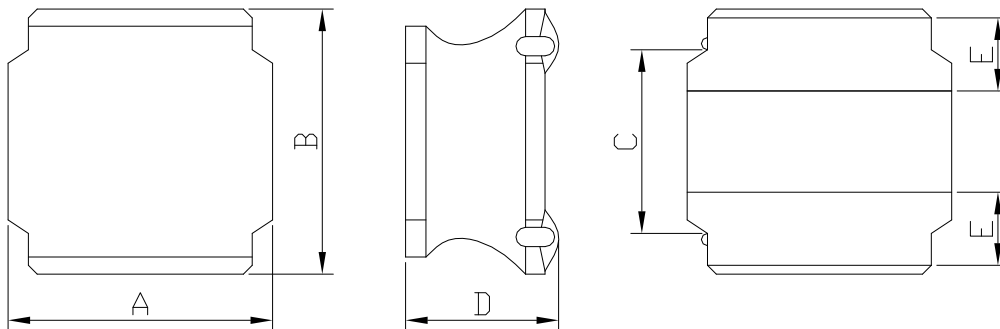
### PART NUMBERING SYSTEM

(AEC-Q200)

<b>SQH</b>	<b>4018S</b>	—	<b>330M</b>	—	<b>LF</b>
TYPE	DIMENSIONS		INDUCTANCE		LEAD FREE

### SHAPES AND DIMENSIONS

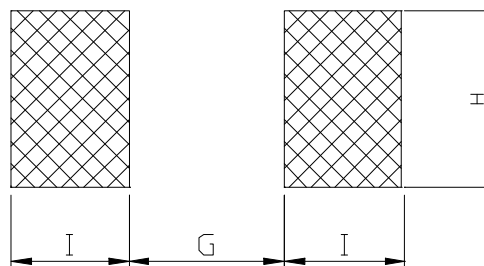
UNIT : mm



A=4.2 Max. B=4.2 Max. C=2.5 Ref. D=1.8 Max. E=1.1±0.2

### RECOMMENDED PATTERNS

UNIT : mm



G= 1.40 H= 3.60 I = 1.20

### FEATURES

- \* Low profile and small inductors ( 4.2mm Max. square and 1.8mm Max. height )
- \* Magnetically shielded construction and high current
- \* Ideal for DC-DC converter choke coil for portable equipments ( DVDs , DSC , Cellular , PDAs )
- \* RoHS compliant option with lead free



## SQH4018S SERIES ~ Low Profile SMD Power Inductors



### SPECIFICATION TABLE

(AEC-Q200)

PART NUMBER	INDUCTANCE (μH)	DCR (Ω) (Max.)	Isat (A) (Max.)	Irms (A) (Max.)	TEST FREQ. (f)
SQH4018S-1R0N-LF	1.0±30%	0.036	4.00	1.83	100KHz
SQH4018S-2R2M-LF	2.2±20%	0.072	2.70	1.44	100KHz
SQH4018S-3R3M-LF	3.3±20%	0.084	2.00	1.23	100KHz
SQH4018S-4R7M-LF	4.7±20%	0.108	1.70	1.20	100KHz
SQH4018S-6R8M-LF	6.8±20%	0.132	1.45	1.06	100KHz
SQH4018S-100M-LF	10±20%	0.216	1.20	0.84	100KHz
SQH4018S-150M-LF	15±20%	0.300	0.94	0.65	100KHz
SQH4018S-220M-LF	22±20%	0.432	0.80	0.59	100KHz
SQH4018S-330M-LF	33±20%	0.636	0.65	0.49	100KHz
SQH4018S-470M-LF	47±20%	0.780	0.57	0.42	100KHz
SQH4018S-680M-LF	68±20%	1.200	0.47	0.32	100KHz
SQH4018S-101M-LF	100±20%	1.800	0.40	0.27	100KHz
SQH4018S-151M-LF	150±20%	3.000	0.31	0.22	100KHz
SQH4018S-221M-LF	220±20%	4.800	0.27	0.17	100KHz

- Isat : DC current at which the inductance drops 30%(typ) from its value without current.
- Irms : The temperature rise current value is the DC current value having temperature increase up 40°C temperature rise from 25°C ambient.
- Operating temperature range -40°C to +125°C , Electrical specifications at 25°C .

